



## MiniDrive

### Lightweight Rotating Probe Drive

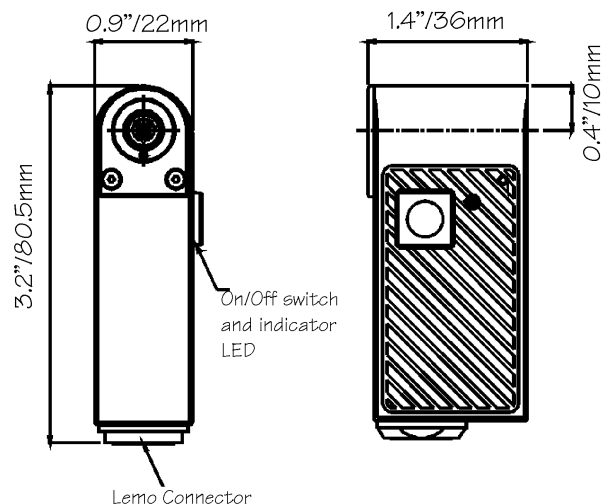
The Hocking MiniDrive is a small, lightweight, rotating eddy current probe drive. It has been designed to make the inspection of fastener holes in confined spaces simple and accurate. Its lightweight design (only 5oz) prevents fatigue when a large number of fastener holes need to be inspected.

Utilising a rotary transformer to allow transference of signals between the instrument and probe. Probe type used is generally a reflection differential.

Operating at a range of speeds from 600rpm to 3000rpm, over a frequency range of 200kHz to 2.5MHz (in conjunction with the Phasec 2200) the MiniDrive offers the flexibility needed to satisfy a wide range of inspection requirements.

#### Specifications :

<b>Weight</b>	150g (5ozs)
<b>Power</b>	Supplied by instrument
<b>Dimensions</b>	3.2" x 0.9" x 1.4" - 82mm x 22mm x 36mm
<b>Clearance</b>	0.4"/11mm. (Distance from top of case to centre of probe)
<b>Speeds</b>	600, 1000, 1500, 2200, 3000 rpm.
<b>Motor</b>	12V



# HOCKING

Inspec House, 129-135 Camp Road, St Albans, Herts AL1 5HP, U.K. Tel: +44 1727 840321 Fax: +44 1727 844476